

IDT CERA 21

RFID Asset Tags



Ceramic Tags are UHF Gen2 Long Range passive tags instituted for industrial manufacturing, warehouse management and large equipment administration. They are especially made to facilitate the industrial chores by offering a spiffing reading range for assorted applications. They can sustain exorbitant temperatures and hence are ideal to be deployed in diverse industries.

PHYSICAL CHARACTERISTICS

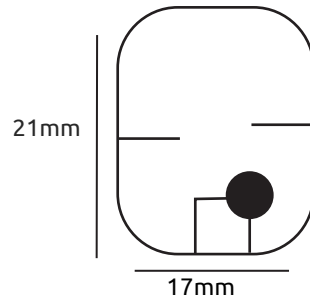
Dimensions	21mm * 17mm
Weight	Variable
Encasement / Material	Ceramic
Packaging	Premium Plastic Packing

RF SPECIFICATIONS

Protocol	ISO/IEC 18000-6C, EPC Global C1G2
Operating Frequency	865 – 868 MHz / 902 – 928 MHz
Read Range Fixed Reader	Up to 2m (Reader Dependent)
Read Range Handheld Reader	Up to 1m (Reader Dependent)
IC Type	Alien Higgs-3 /4, Monza 4/4QT/5/R6/R6P, UCODE 7/8 chip
EPC Memory	Chip Dependent
User Memory	Chip Dependent



RFID CERAMIC TAG DIMENSION



ENVIRONMENTAL SPECIFICATIONS

Operating Temperature	-40 to +85 °C
Storage Temperature	-40 to +85 °C
IP Rating	IP68
Chemical Resistance	Resistant To Chemical Solvent and Moisture
Shock & Vibration	MIL STD 810-G
Attachment	Rivets & Screws Adhesive

PERSONALIZATION

Pre-Encoding	Customer Specific Encoding of EPC
Customized Printed	Customer Specific Layout Including Logo, Text, Numbers, Barcode, Etc.

ORDER INFORMATION

Part No.	IDT.RF.T.CRM.BL (Blank)
	IDT.RF.T.CRM.AI (Adhesive Indoor)
	IDT.RF.T.CRM.AO Adhesive Outdoor)

APPLICATION AREA



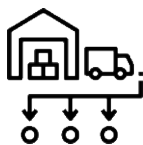
Construction



Manufacturing



Energy



Logistics



Supply Chain



Transportation

ID TECH SOLUTIONS PVT. LTD

610, Udyog Vihar Phase-5, Gurgaon,

Haryana - 122016, INDIA | T. : +91-124 - 4255530 (6 Lines)

E.: info@idsolutionsindia.com | W.: www.idsolutionsindia.com

