

# IDT RFID Injectible Tag

## RFID Animal Identification Tag



IDT RFID injectable tag is suitable for monitoring, tracking and identification of pets, fishes, equines, livestock, wildlife and endangered species for health record keeping, insurance daivies and slaughter houses. They are thrusted through injectable applicator. These tags are fully compliant to ISO 11784/11785 animal ID standards. Tags are encapsulated in bioglass which are impermeable and non toxic to the animals. The glass tag is laser sealed. The microchip is the size of a rice grain and implanted beneath the skin.

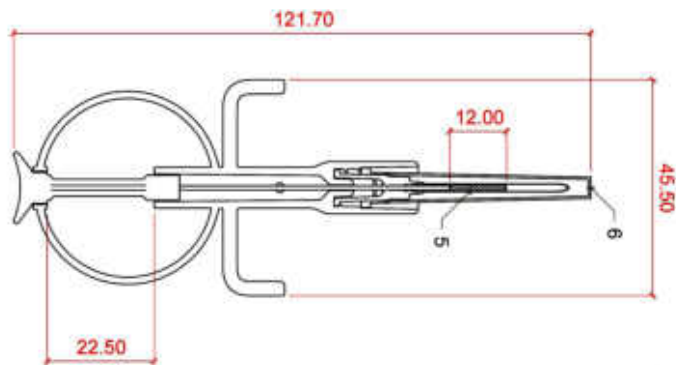
### PHYSICAL PARAMETERS

<b>Dimensions</b>	2.12mm*12mm (L) / 1.4mm*8mm (M) / 1.25*7mm (S)
<b>Tag Weight + Injector Weight</b>	1.5gm+7gm / 1gm+7gm / 1gm+7gm
<b>Encasement/Material</b>	Bioglass
<b>Packaging</b>	Sterilised Premium Plastic Packing IN EO Gas

### RF SPECIFICATIONS

<b>Protocol</b>	ISO 11784, ISO 11785 (FDX-B) (HDX)	
<b>Operating Frequency</b>	134.2 kHz	
<b>Read Range Fixed Reader</b>	Up to 30 cm (Reader Dependent)	
<b>Read Range Handheld Reader</b>	Up to 10 cm (Reader Dependent)	
<b>IC Type</b>	Em4305	Hitags256
<b>UID Memory</b>	32bit	32bit
<b>User Memory</b>	512bit	256bit
<b>Lock Feature</b>	Converts EEPROM To Read Only	
<b>Data Retention</b>	10 Years Non Volatile Data Retention	
<b>Read Write Cycle</b>	Upto 1,00,000	
<b>Tag Coating</b>	Parylene coating	

## RFID ANIMAL TAG DIMENSION



## ENVIRONMENTAL SPECIFICATIONS

<b>Operating Temperature</b>	-25°C to +85°C
<b>Storage Temperature</b>	-40°C to +85°C
<b>IP Rating</b>	IP68
<b>Chemical Resistance</b>	Alcohol, ammonium chloride 25%, fuel B, HCL 10%, salt water
<b>Tagging Method</b>	Subcutaneous
<b>Injection Material</b>	Polypropylene

## PERSONALISATION

<b>Pre-Encoding</b>	Customer Specific Encoding
---------------------	----------------------------

## ORDER INFORMATION

<b>Part No.</b>	IDT.RFT.LS.INJL
	IDT.RFT.LS.INJM
	IDT.RFT.LS.INJS

## APPLICATION AREA



Semen  
Collection



Health Record  
Keeping



Insurance



Slaughter  
House



Livestock  
Identification



PSU's



**ID TECH SOLUTIONS PVT. LTD.**

610, Udyog Vihar Phase-5, Gurgaon, Haryana - 122016, INDIA | T. : +91-124 - 4255530 (6 Lines)

E.: [info@idsolutionsindia.com](mailto:info@idsolutionsindia.com) | W: [www.idsolutionsindia.com](http://www.idsolutionsindia.com)

The product specifications and descriptions listed in the specification sheet are subject to change anytime without notice.

© 2020 ID Tech Solutions Pvt. Ltd. All Rights Reserved.

